

Technical data sheet

Product features



Cooking range solid top gas

Model	SAP Code	00019432
--------------	-----------------	----------



- Device type: Gas unit
- Power consumption of the zone 1 [kW]: 8,5
- Power consumption of the zone 2 [kW]: 6,6
- Power consumption of the zone 3 [kW]: 4
- Ignition: Piezo + Eternal Flame
- Material: AISI 304 top plate and cladding

SAP Code	00019432	Type of gas	Natural gas, propane butane
Net Width [mm]	800	Number of zones	3
Net Depth [mm]	730	Power consumption of the zone 1 [kW]	8,5
Net Height [mm]	300	Power consumption of the zone 2 [kW]	6,6
Net Weight [kg]	70.70	Power consumption of the zone 3 [kW]	4
Power gas [kW]	19.100	Solid top dimensions [mm x mm]	370 x 545

Technical data sheet

Technical drawing

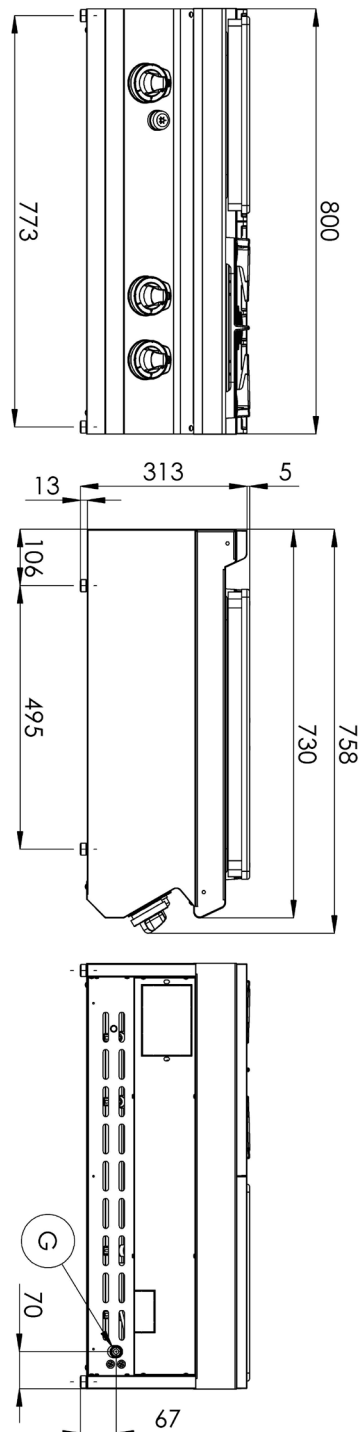


Cooking range solid top gas

Model

SAP Code

00019432



Technical data sheet

Technical parameters



Cooking range solid top gas

Model

SAP Code

00019432

1. SAP Code:

00019432

2. Net Width [mm]:

800

3. Net Depth [mm]:

730

4. Net Height [mm]:

300

5. Net Weight [kg]:

70.70

6. Gross Width [mm]:

840

7. Gross depth [mm]:

800

8. Gross Height [mm]:

480

9. Gross Weight [kg]:

79.50

10. Device type:

Gas unit

11. Construction type of device:

Table top

12. Power gas [kW]:

19.100

13. Ignition:

Piezo + Eternal Flame

14. Type of gas:

Natural gas, propane butane

15. Exterior color of the device:

Stainless steel

16. Material:

AISI 304 top plate and cladding

17. Worktop type:

Molded - comfortable cleaning maintenance

18. Worktop material:

AISI 304

19. Worktop Thickness [mm]:

1.50

20. Number of zones:

3

21. Power consumption of the zone 1 [kW]:

8,5

22. Power consumption of the zone 2 [kW]:

6,6

23. Power consumption of the zone 3 [kW]:

4

24. Grid material:

Cast iron

25. Service accessibility:

Trough the frontal panel

26. Safety thermocouple:

Yes

27. Number of burners/hot plates:

3

28. Type of gas cooking zones:

Fire protection to install + Classic burners

Technical data sheet

Technical parameters



Cooking range solid top gas

Model	SAP Code	00019432
--------------	-----------------	----------

29. Burner type:

Brass, detachable

31. Solid top dimensions [mm x mm]:

370 x 545

30. Solid top thickness [mm]:

30

32. Solid top ignition:

Piezo + Eternal Flame